



280x280x88.9mm / 11x3.5inch

750~470 CFM

Axial Plastic Impeller

Model No	Rated Volt	Voltage Range	Freq	Input Power	Ref. Speed	Max. Airflow		Max. Static Pressure		Noise Level	PQ
	VAC	VAC	Hz	Watt	RPM	CFM	m3/min	Inch/H2O	mm	db(A)	
S280RAN-11-2**	115	100~120	50/60	58/55	1500/1600	660/750	18.7/21.2	0.38/0.49	9.65/12.45	49	6/5
S280RAN-11-3**	115	100~120	50/60	32/37	1100/1200	470/485	13.3/13.7	0.18/0.13	4.57/3.3	35	8/7
S280RAN-11-2/3** dual speed	115	100~120	50/60	58/55	1500/1600	660/750	18.7/21.2	0.38/0.49	9.65/12.45	49	
				32/37	1100/1200	470/485	13.3/13.7	0.18/0.13	4.57/3.3	35	
S280RAN-22-2**	230	200~240	50/60	58/55	1500/1600	660/750	18.7/21.2	0.38/0.49	9.65/12.45	49	6/5
S280RAN-22-3**	230	200~240	50/60	32/37	1100/1200	470/485	13.3/13.7	0.18/0.13	4.57/3.3	35	8/7
S280RAN-22-2/3** dual speed	230	200~240	50/60	58/55	1500/1600	660/750	18.7/21.2	0.38/0.49	9.65/12.45	49	
				32/37	1100/1200	470/485	13.3/13.7	0.18/0.13	4.57/3.3	35	

- ** = "WB" for wire lead type Ball bearing, or "TB" for terminal type Ball bearing
- 100, 200, 240V or special voltages 12, 24, 28, 38, 42, 48, 380, 440, 480V... 50/60Hz, & any voltages available.
- Dual speed High/Medium 1/2, Medium/Low 2/3 available on request.
- Sinwan reserves the right to change data and improve electrical & mechanical design without notice, data tolerance +-10%

Motor

Motor Type:	Capacitor induction, outer rotor, 1-phase
Burnout Protection:	Thermal protector
IP Protection:	Optional: IP56

Mechanical

Frame:	Aluminum die cast, natural color(AN) or black color(AP)
Impeller:	7 blades, glass fiber reinforced plastic, rated UL94V-0
Bearing:	Two ball bearings
Rotation:	CCW seen on rotor
Connection:	Wire lead or terminal flat pin connecting
Weight:	3,400g (7.5 Lbs)

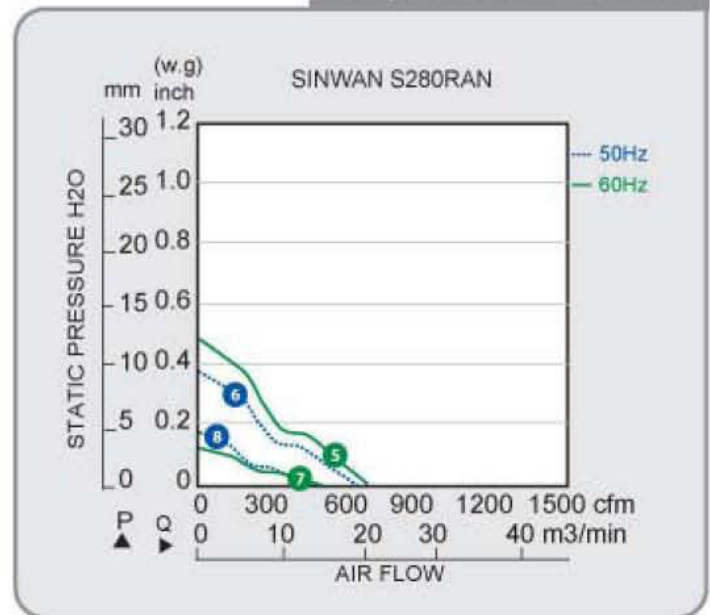
Electronical

Dielectric Strength:	Over 1 min. at 1,500 VAC, 0.5mA, 50/60 Hz
Insulation Resistance:	Over 100 MΩ at DC 500V
Signal Output:	Optional: R/D alarm output, tachometer output

Environment

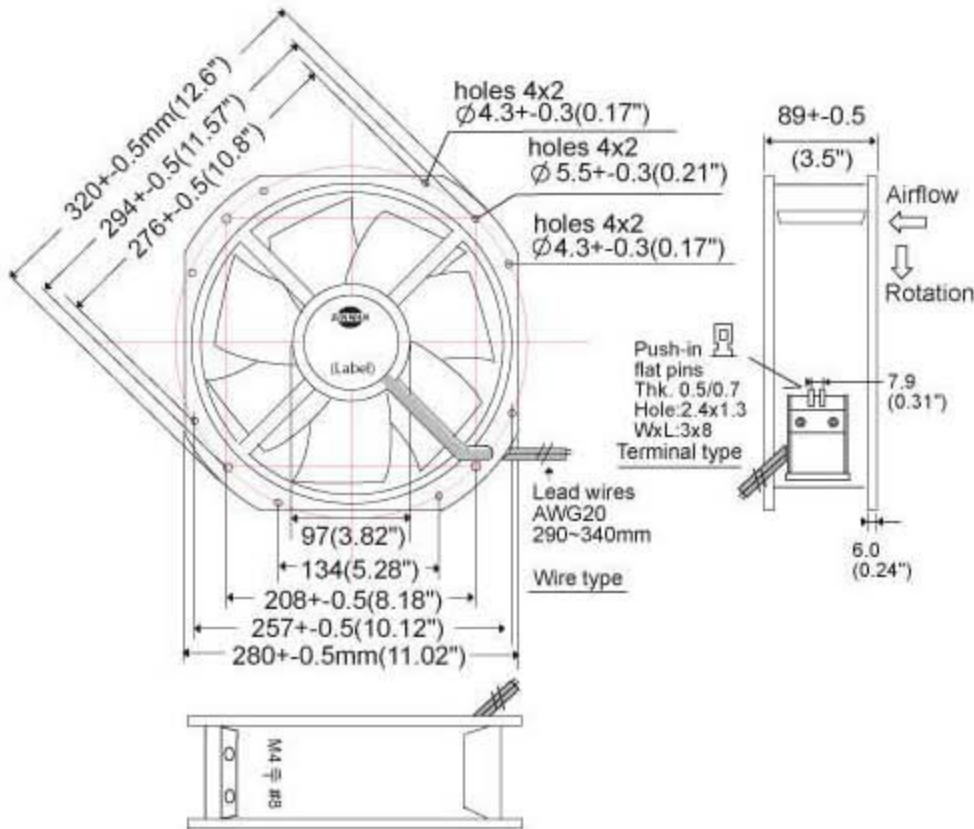
Operating Temp:	Ambient non-condensing -20~+70C
Storage Temp:	-40C~+100C (at 65%RH)
Life Expectancy:	L10 80K hours at 35C, 40K hours at 60C

► Performance P-Q Curves



- Nomenclature
- F/G Tech
- R/D Alarm
- Dual Voltage
- Multiple Speed

▶ Outline Dimensions



Relevant products



Metal Fan Guard
G280-17U



RoHS