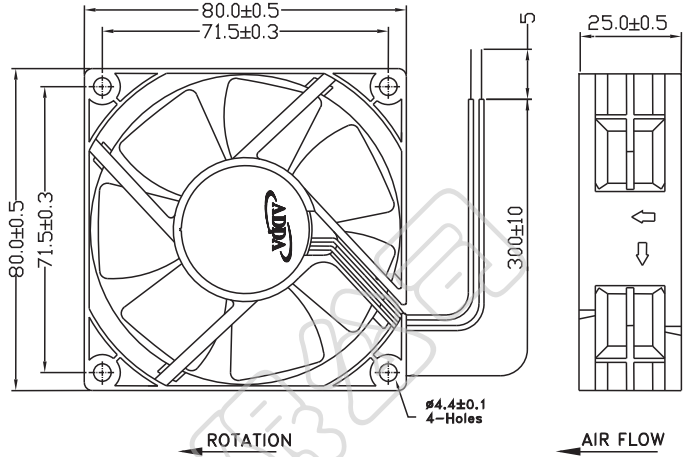




# AD8025 SERIES

## External Dimensions



Frame: Plastic(UL:94V-0)  
 Impeller: Plastic(UL:94V-0)  
 Lead wire: UL1007AWG24

## Specifications(Nominal)

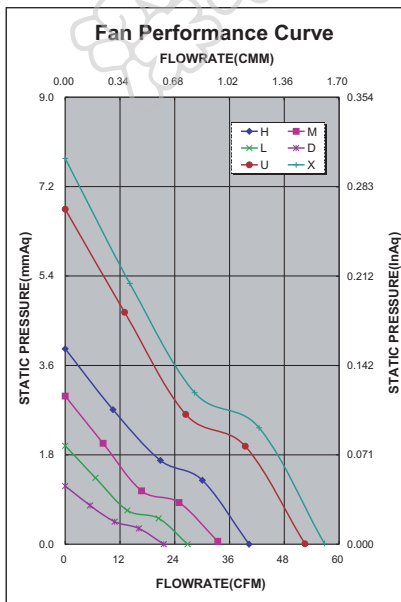
\*:Noise is measured at the distance of one (1) meter from the axis of intake.

Bearing type: ◎=Ball ※=Sleeve ○=1B1S ●=Hypro bearing

Frame size (mm)	Model No.	Bearing System Type	Rated Voltage (VDC)	Current (A)	Power (W)	Rated Speed (rpm)	Maximum AirFlow (CMM)	Maximum AirFlow (CFM)	Maximum Pressure (InAq)	Maximum Pressure (mmAq)	*Noise Level (dB/A)	Weight (g)
80x80x25	AD0812DB-A71GL(N)	◎ ※ ●	12	0.04	0.48	1600	0.611	21.607	0.046	1.168	14.0	
	AD0812LB-A71GL(N)	◎ ※ ●	12	0.06	0.72	2000	0.758	26.801	0.078	1.981	21.6	
	AD0812MB-A71GL(N)	◎ ※ ●	12	0.09	1.08	2500	0.945	33.400	0.117	2.971	28.3	
	AD0812HB-A71GL(N)	◎ ※ ●	12	0.16	1.92	3000	1.139	40.259	0.154	3.911	33.4	
	AD0812UB-A71GL(N)	◎ ※ ●	12	0.30	3.60	3900	1.485	52.494	0.265	6.731	40.8	86.0
	AD0812XB-A71GL(N)	◎ ※ ●	12	0.33	3.96	4200	1.606	56.768	0.303	7.696	43.4	
	AD0824MB-A71GL(N)	◎ ※ ●	24	0.06	1.44	2500	0.945	33.400	0.117	2.971	28.3	
	AD0824HB-A71GL(N)	◎ ※ ●	24	0.09	2.16	3000	1.139	40.259	0.154	3.911	33.4	
	AD0824UB-A71GL(N)	◎ ※ ●	24	0.15	3.60	3900	1.485	52.494	0.265	6.731	40.8	

Specifications subject to change without notice.

The specification for bearing type is for reference only , for more bearing types information, please contact with your ADDA sales representative, thanks!!  
 (網頁上呈現產品軸承資訊均以2Ball為主，若需其他產品資訊請聯絡您在ADDA的業務代表，謝謝!!)



\*Motor protective circuit and third lead wire functions

0	1	2	3	4	6	7	8	9	A	B
	✓	✓	✓							

\*Safety approvals

✓	✓	✓	✓	✓