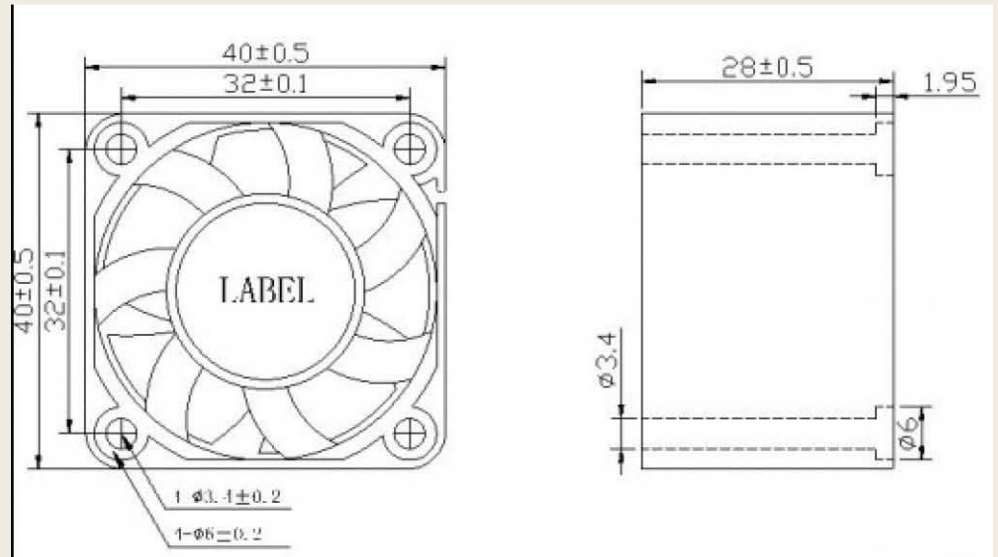
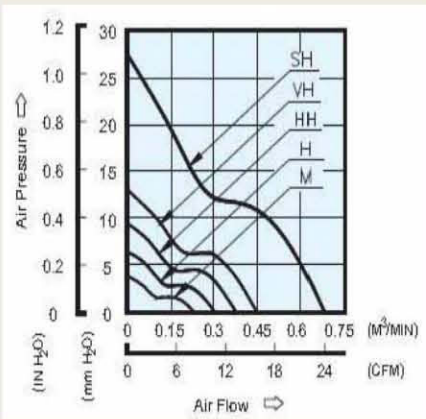




DC 4028

General specification:	
Frame and Impeller:	Thermal Plastic, UL 94V-0
Lead wires:	UL Type or Equivalent (+) : Red (-) : Black
Operation temperature :	-10°C~70°C、35%~85%RH
Storage temperature :	-40°C~80°C、35%~85%RH
Motor Protection:	
Impedance Protected; Reverse Polarity Protected; Automatic Restart.	



Listed Model	Bearing System	Rated Voltage	Operation Voltage	Rated Current	Rated Speed	Air Flow	Static pressure	Noise Level	Available Features (Optional)				Weight g
		VDC	VDC	A	RPM	CFM	mmH ₂ O	dBA	Tachometer Output	Rotation Detector	Thermal Control	Pulse Width Modulation	
XHD4028S05H	Sleeve Ball	5	3.5~5.75	0.35	7,500	9.4	6.0	32	●	●			36
XHD4028S05M			3.5~5.75	0.30	6,500	8.2	4.7	28	●	●			
XHD4028S05L			3.5~5.75	0.22	5,000	6.1	3.5	23	●	●			
XHD4028B05H			3.5~5.75	0.35	7,500	9.4	6.0	32	●	●			
XHD4028B05M			3.5~5.75	0.30	6,500	8.2	4.7	28	●	●			
XHD4028B05L			3.5~5.75	0.22	5,000	6.1	3.5	23	●	●			
XHD4028S12H	Sleeve	12	6.0~13.8	0.20	8,800	11.2	8.1	36	●	●			
XHD4028S12M			6.0~13.8	0.18	8,000	10.1	6.8	33	●	●			
XHD4028S12L			6.0~13.8	0.12	5,000	6.1	3.5	23	●	●			

XHD4028S12H	Ball		6.0~13.8	0.20	8,800	11.2	8.1	36	●	●		
XHD4028B12M			6.0~13.8	0.18	8,000	10.1	6.8	33	●	●		
XHD4028B12L			6.0~13.8	0.12	5,500	6.1	3.5	23	●	●		
XHD4028S24H	Sleeve	24	12.0~27.6	0.16	8,800	11.2	8.1	36	●	●		
XHD4028S24M			12.0~27.6	0.12	8,000	10.1	6.8	33	●	●		
XHD4028S24L			12.0~27.6	0.09	5,000	6.1	3.5	23	●	●		
XHD4028B24H	Ball		12.0~27.6	0.16	8,800	11.2	8.1	36	●	●		
XHD4028B24M			12.0~27.6	0.12	8,000	10.1	6.8	33	●	●		
XHD4028B24L			12.0~27.6	0.09	5,000	6.1	3.5	23	●	●		